

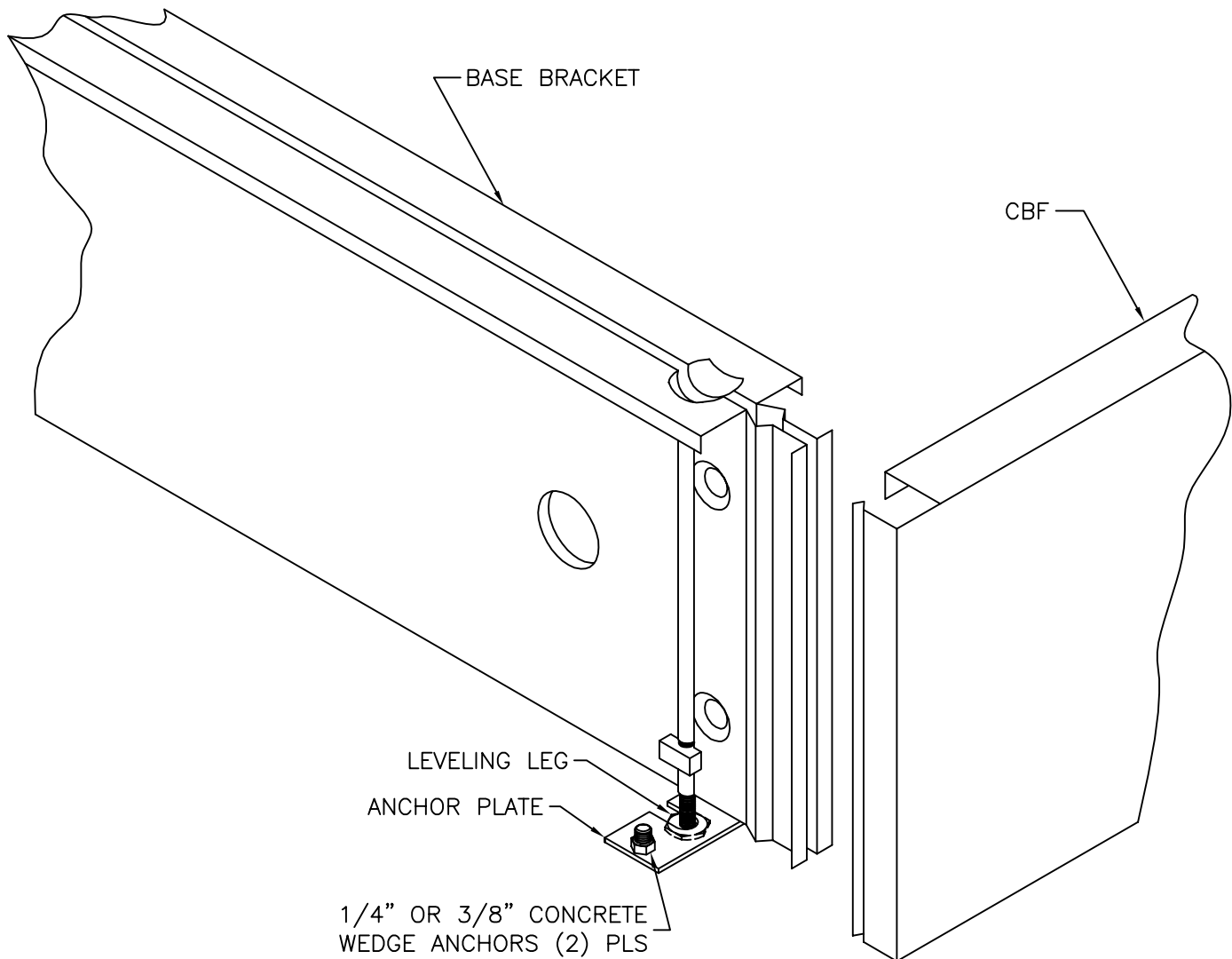
INSTALLATION INSTRUCTIONS

BASE BRACKET ANCHOR (DC1242)

Factory preset base bracket leveling leg may need to be extended two turns (1/8") minimum to match uprite adjustment. See 01-13 for leveling procedure, if needed.

With base front (CBF) installed, place anchor over base bracket leveling leg as shown and secure to floor as shown.

Install base decks and remainder of shelving.



NOTE:
FOR POSITIONING APPLICATIONS, USE WEDGE ANCHORS WITH 1 1/8" MINIMUM EMBEDMENT. FOR SEISMIC APPLICATIONS, CONSULT A SEISMIC ENGINEER FOR SPECIFIC ANCHOR SIZE/TYPE INSTALLATION DETAILS.

