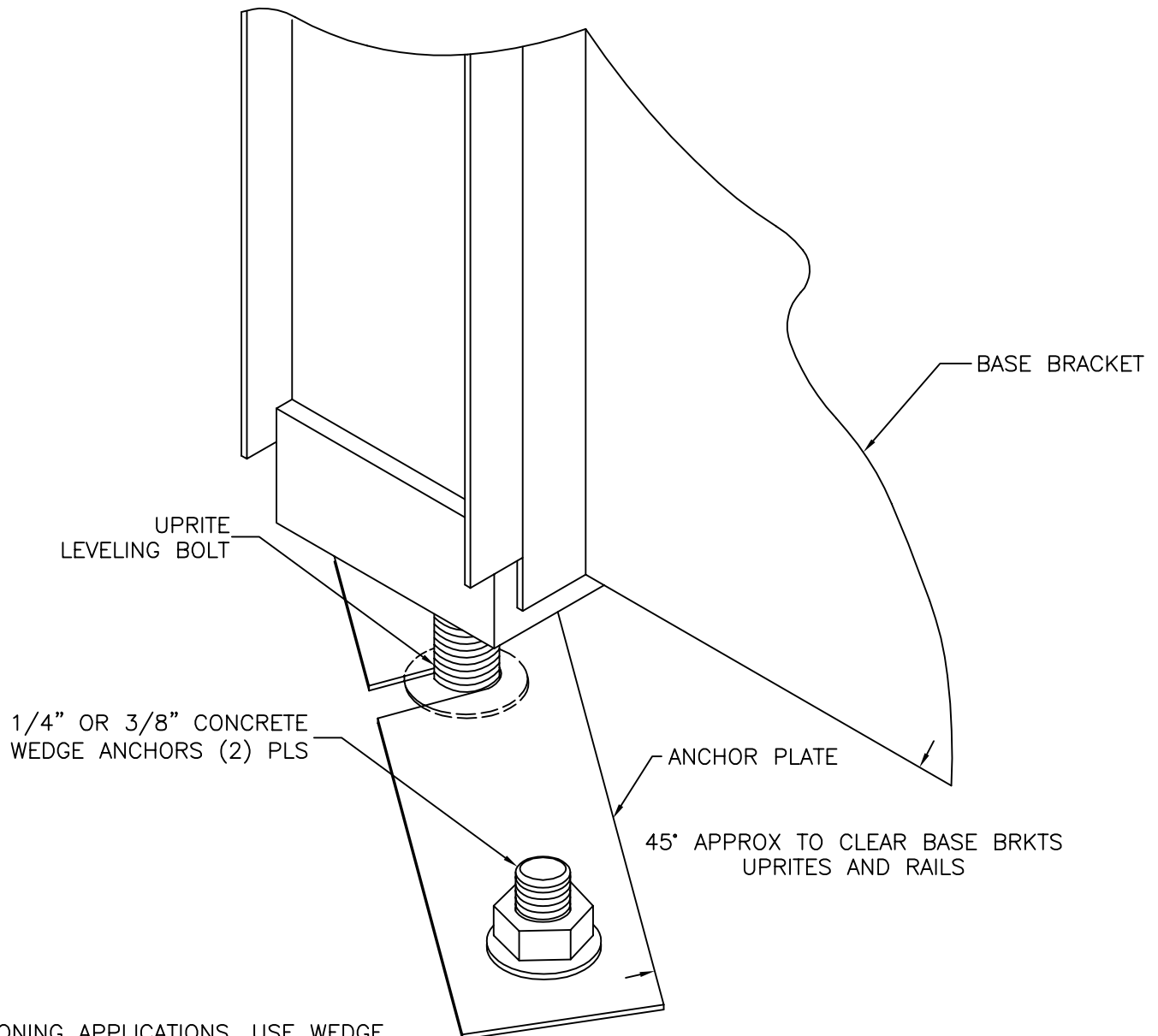


INSTALLATION INSTRUCTIONS

UPRITE ANCHOR (DC1241)

- STEP 1:** Factory preset uprite leveling leg must be extended two turns (1/8") minimum to accommodate anchor. See 01-13 for leveling procedure, if needed.
- STEP 2:** Place anchor over uprite leveling bolt as shown and secure to floor as shown.
- STEP 3:** Complete installation of decks and shelving.



NOTE:
FOR POSITIONING APPLICATIONS, USE WEDGE ANCHORS WITH 1 1/8" MINIMUM EMBEDMENT.
FOR SEISMIC APPLICATIONS, CONSULT A SEISMIC ENGINEER FOR SPECIFIC ANCHOR SIZE/TYPE INSTALLATION DETAILS.